



LNB

C-BAND PLL

3000



TYPICAL SPECIFICATIONS

Noise temperature	20K to 30K depending on model number
L.O. stability (over temperature excl offset)	±5 kHz to ±25 kHz depending on model number
Phase noise (SSB)	-73 dBc/Hz at 1kHz -83 dBc/Hz at 10kHz -93 dBc/Hz at 100kHz
Input VSWR	2.2 : 1
Output VSWR	2.2 : 1

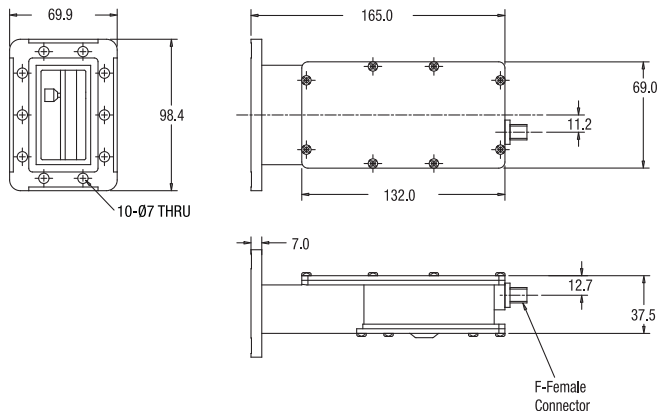
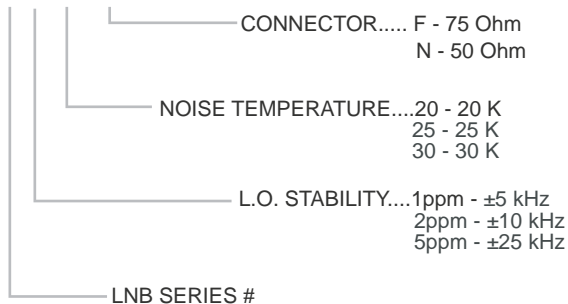
Conversion gain	62 dB
Output P1dB	9 dBm
Power requirements	+15 to +24 V supplied through center conductor of IF cable
Current drain	330 mA
Input Waveguide	CPR 229G
Dimensions	180 (L) x 100 (W) x 70 (H) mm (7.1 x 4.0 x 2.8 in)
Weight	700g / 25 oz
Temperature Range	-40°C to +60°C

FREQUENCY BANDS AVAILABLE

Input frequency (GHz)	3.40 to 4.20
L.O. frequency (GHz)	5.15
Output frequency (MHz)	950 to 1750

HOW TO ORDER C-BAND 3000

3120N



MECHANICAL DIAGRAM