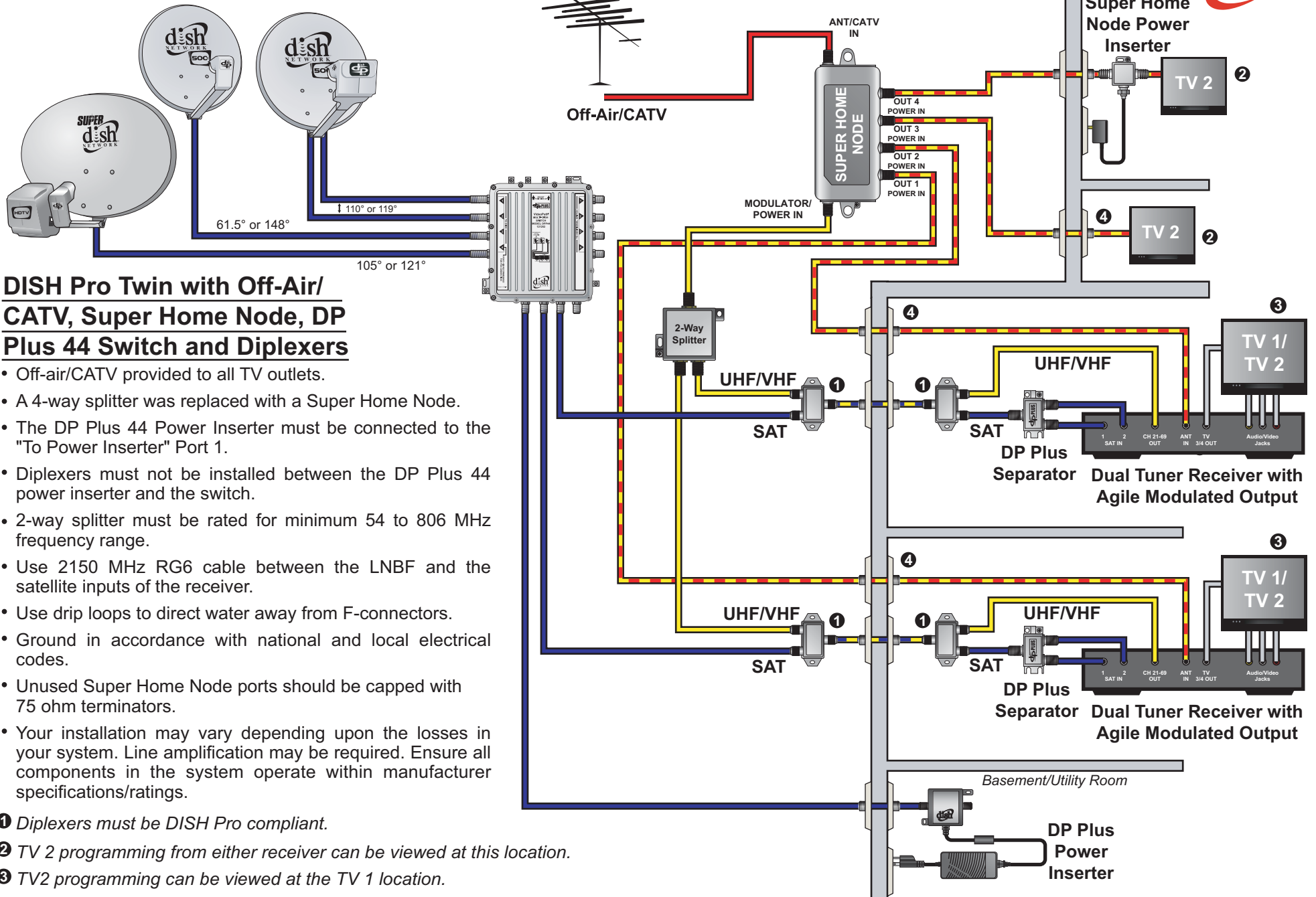




# Distribution Example 11



## DISH Pro Twin with Off-Air/CATV, Super Home Node, DP Plus 44 Switch and Diplexers

- Off-air/CATV provided to all TV outlets.
- A 4-way splitter was replaced with a Super Home Node.
- The DP Plus 44 Power Inserter must be connected to the "To Power Inserter" Port 1.
- Diplexers must not be installed between the DP Plus 44 power inserter and the switch.
- 2-way splitter must be rated for minimum 54 to 806 MHz frequency range.
- Use 2150 MHz RG6 cable between the LNBF and the satellite inputs of the receiver.
- Use drip loops to direct water away from F-connectors.
- Ground in accordance with national and local electrical codes.
- Unused Super Home Node ports should be capped with 75 ohm terminators.
- Your installation may vary depending upon the losses in your system. Line amplification may be required. Ensure all components in the system operate within manufacturer specifications/ratings.

- ① Diplexers must be DISH Pro compliant.
- ② TV 2 programming from either receiver can be viewed at this location.
- ③ TV2 programming can be viewed at the TV 1 location.
- ④ Represents possible Super Home Node Power Inserter locations.